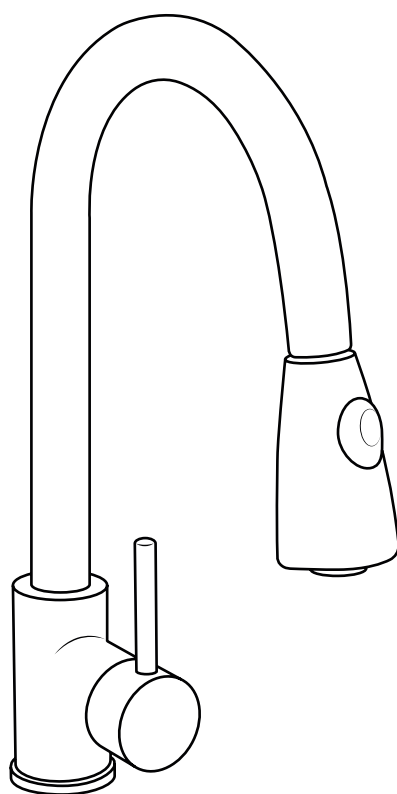



# Milano

Pulldown Kitchen Tap



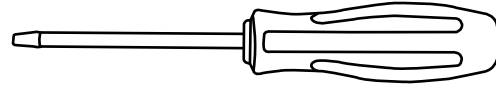
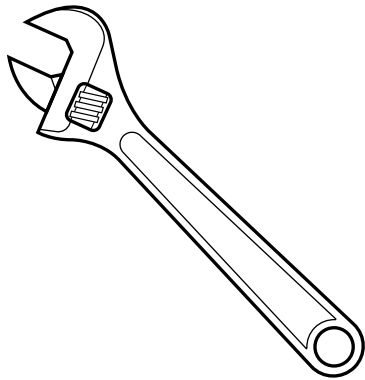
 Style may vary

Installation Guide

# Installation

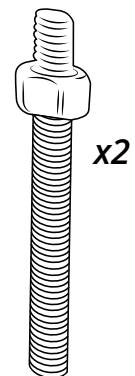
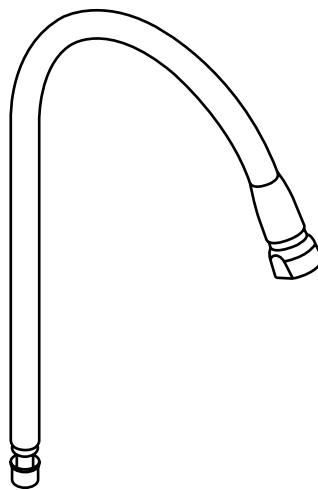
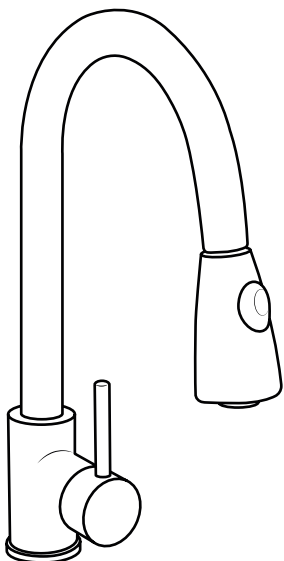
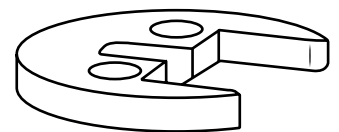
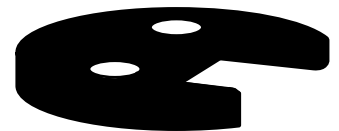
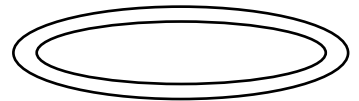
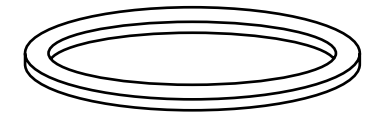
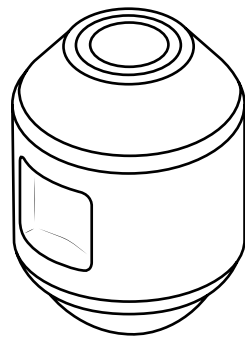
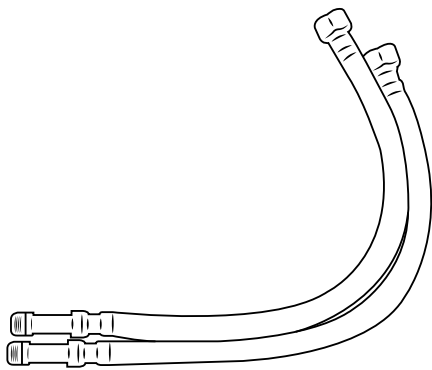
---

## *Tools required for installing:*

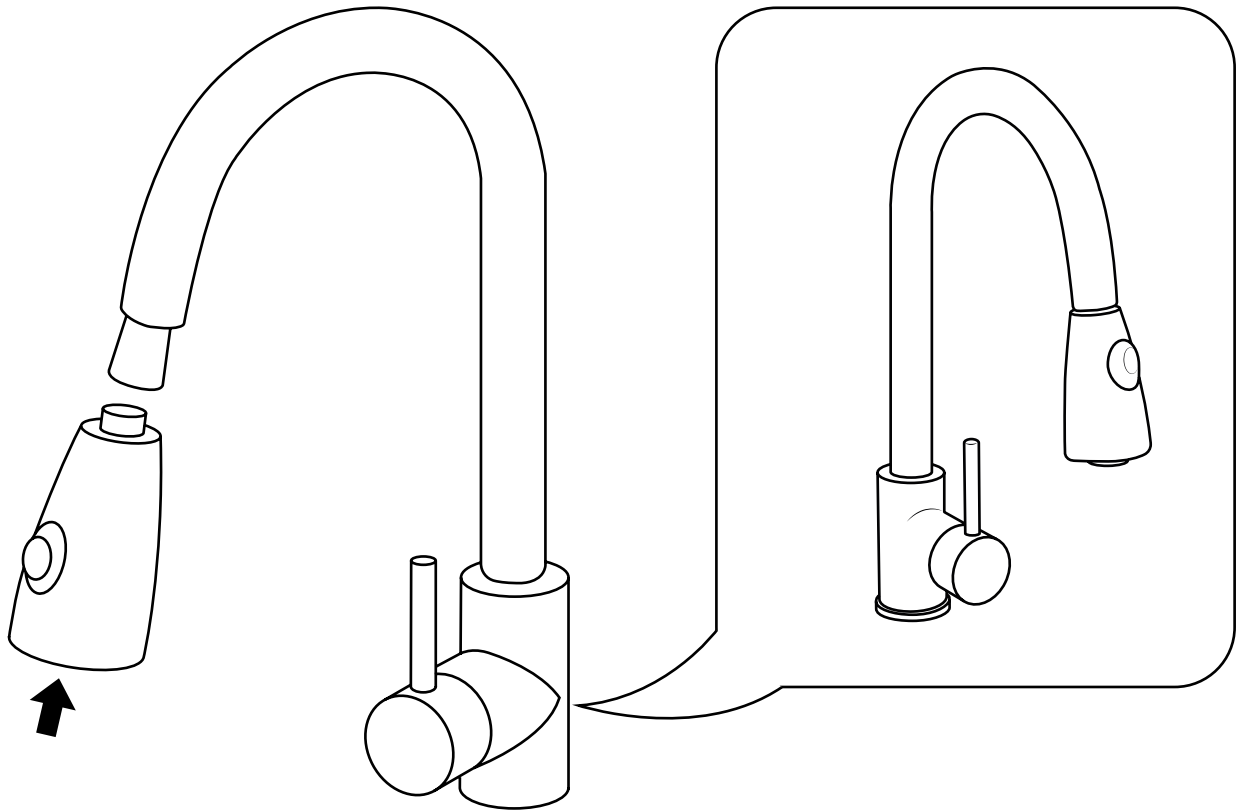


---

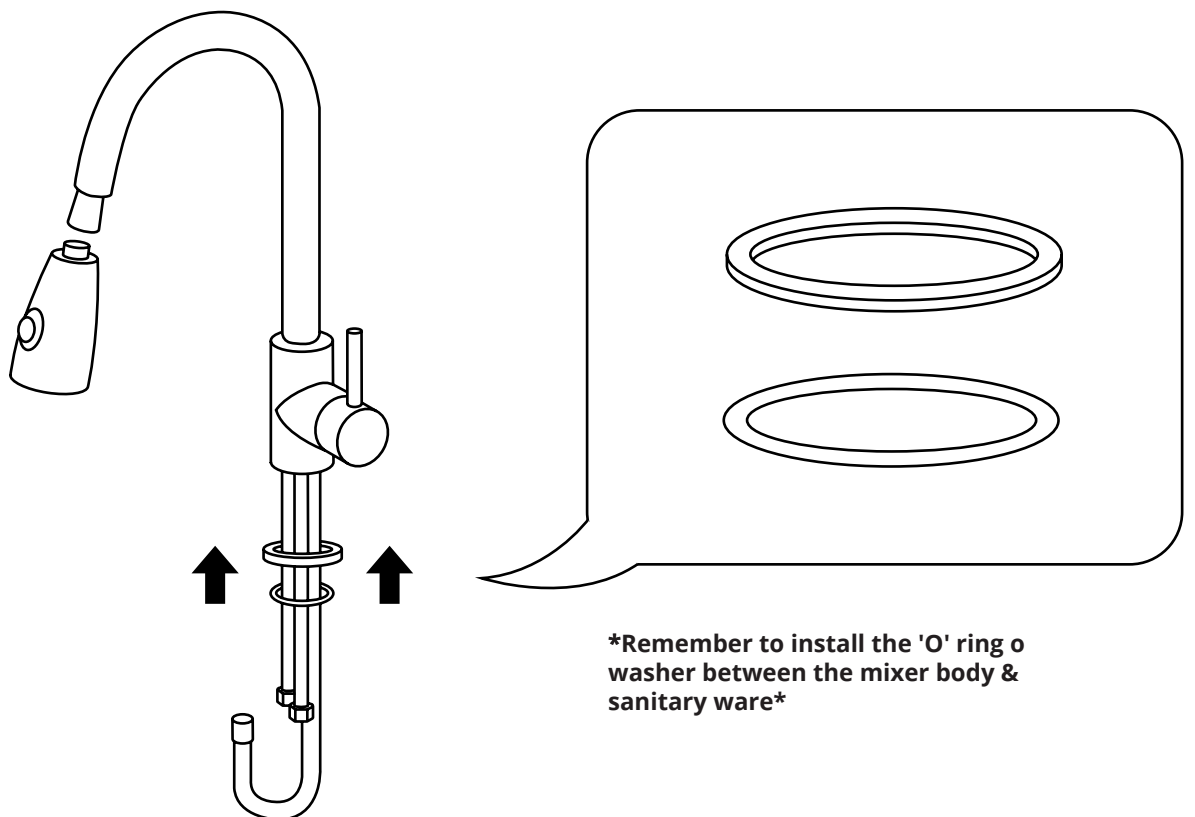
## *Parts included:*



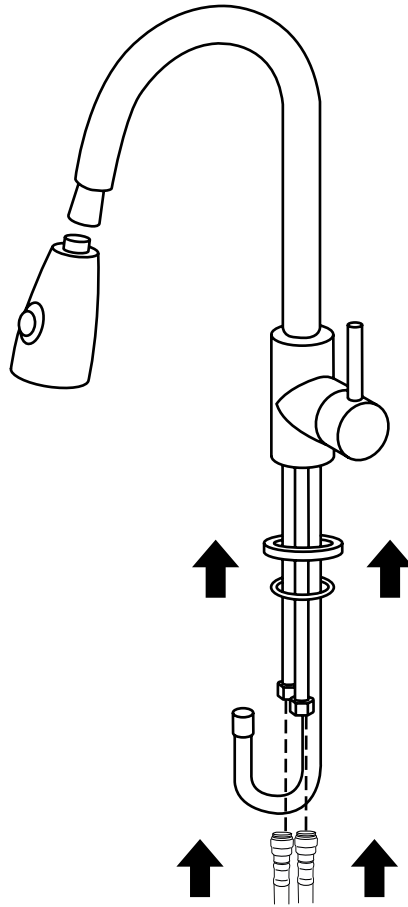
1



2

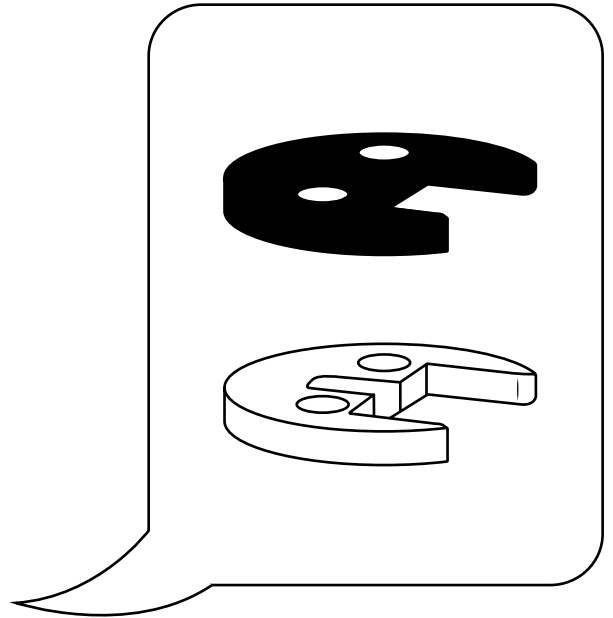
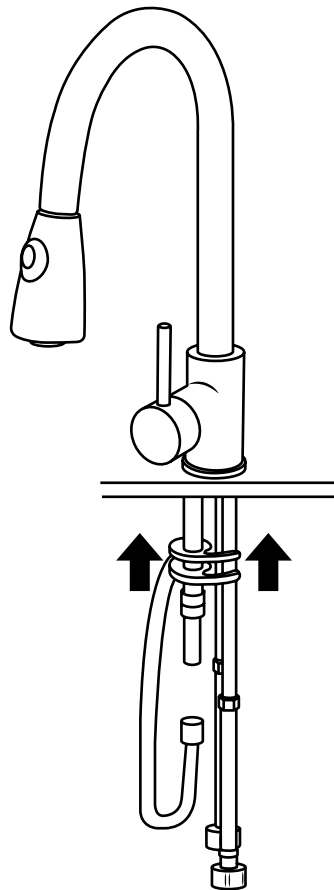


3

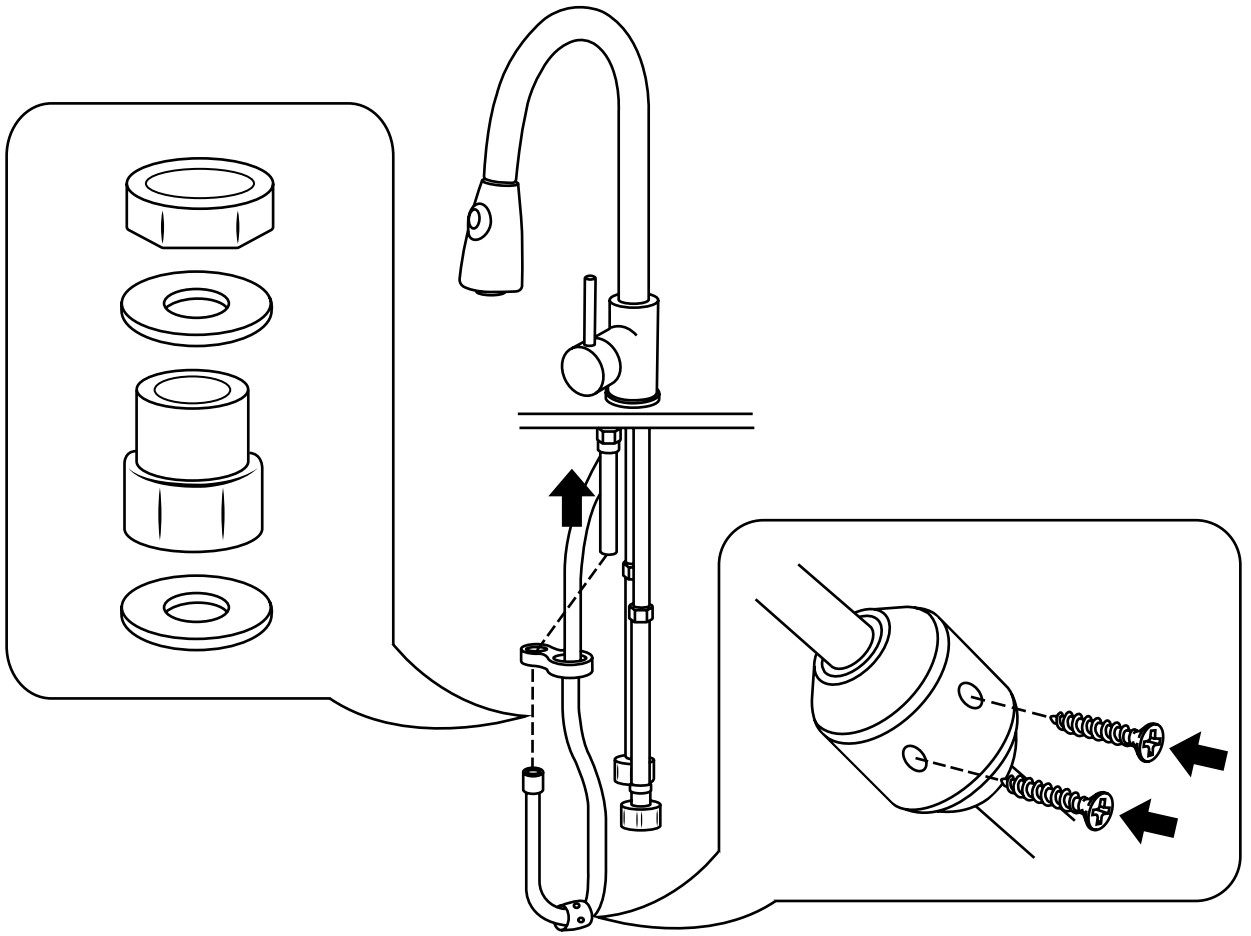


**\*Remember to install the 'O' ring o washer between the mixer body & sanitary ware\***

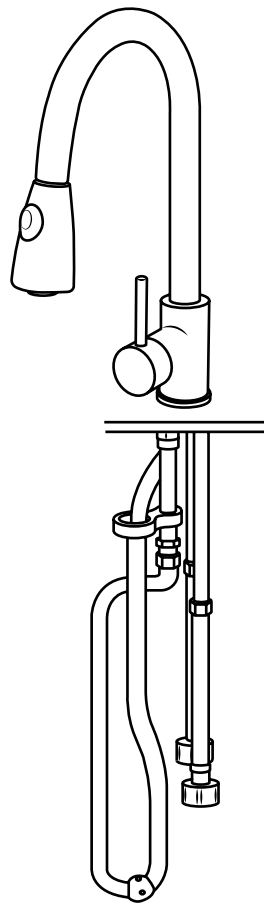
4



5



6



---

7

